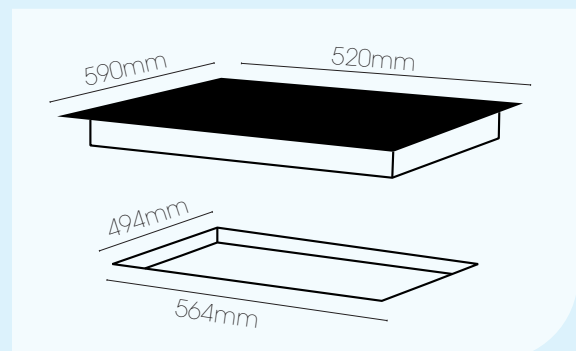
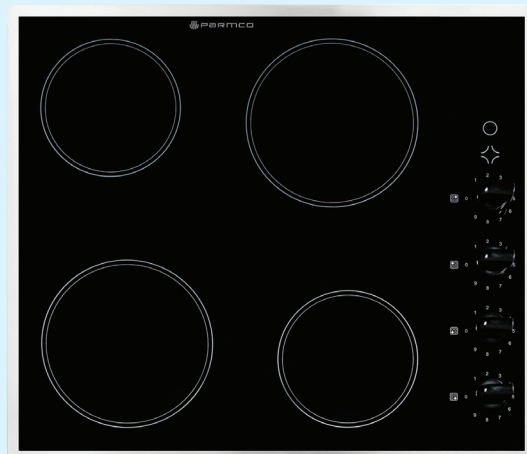


Our latest addition. Inspiring designs for New Zealand Kitchens.

600MM CERAMIC STAINLESS STEEL FRAME HOB HX-1-6S-CER

- Ceramic Hob
- 9 Power Settings
- Knob Control
- 4 Heat Settings
- Easy Clean Surface
- Excessive Heat Protection
- Heat Indicators
- 25A Electrical Outlet



Impressive 7 Year Warranty

Note: 7 year warranty is for domestic use only.
For more information visit www.parmco.co.nz

AVAILABLE NOW

Ask your local Parmco representative for pricing.

PARMCO

Inspiring kitchens, entertaining homes